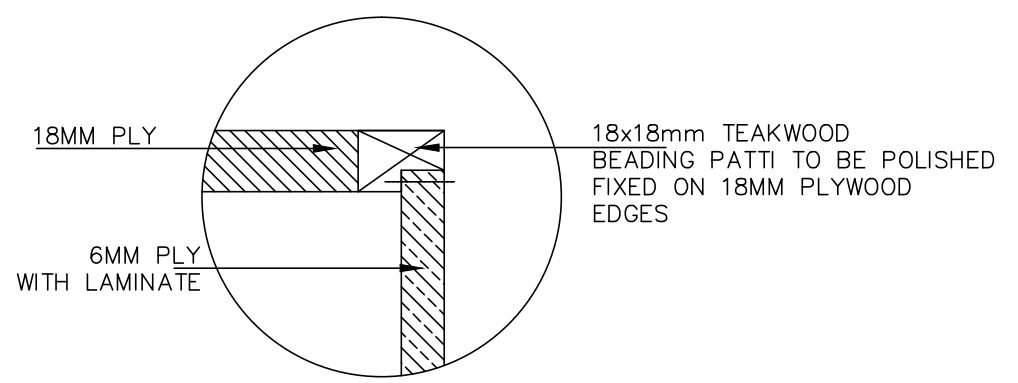
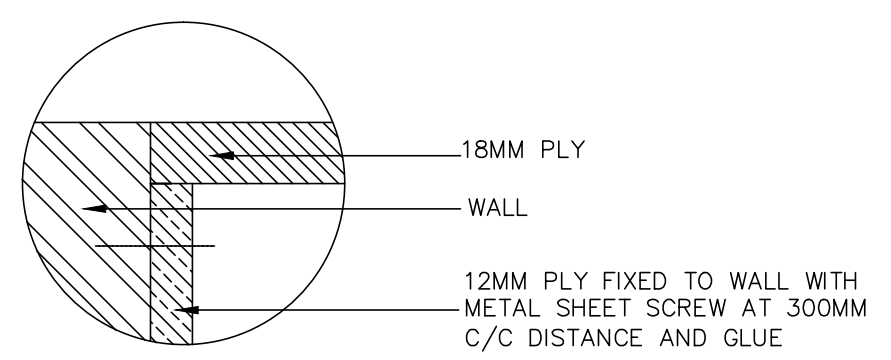


DETAIL OF PLYWOOD RACEWAY




DETAIL A-A



DETAIL B-B

TENDER DRAWING
PLEASE RETURN WITH THE BID

R1				IIM SAMBALPUR TEMPORARY CAMPUS ACADEMIC BLOCK	DESIGNED: CT DRAWN: DM SCALE: 1:5 DATE: MARCH 2018	PLYWOOD BAND FOR ELECTRICAL WIRING DETAIL	DRG. NO. TA/T/AB-D12 REV. R0 D12PLYFORELEC	Thakkar Associates Building Design Consultants 905, Manas, Jodhpur Crossroads Satellite Road, Ahmedabad 380015 Tel: 079-26924434.	
NO.	DETAILS	BY	DATE.	PROJECT CODE: I-159					
	REVISIONS								